

RAIN MASTER® EAGLE™ PLUS



KEY FEATURES & BENEFITS

MORE CONNECTIVITY

Wireless cellular communications. Faster "real time" internet access to *iCentral* Expanded text message Smart Alerts™

MORE CONFIGURATIONS

Up to 48 stations conventional configuration and 200 stations in 2-Wire configuration. Up to 16 programs (8 for conventional and 16 for 2-Wire)

ENHANCED USER INTERFACE

Intuitive operation with multi-line LCD backlit display and simple multi-function input knob, plus more diagnostic tools

HISTORICAL DATA RETENTION

Previous 14 days of ET values, last 25 executed program cycles and 220 Smart Alerts and alarms

The Rain Master Eagle™ Plus controller has taken internet-based Central Control and ET-Adjustment to a new level. The Eagle *Plus* retains all the must-have features and benefits of the Eagle including *iCentral*™ cloud operations and ZipET™. The Eagle Plus provides greater functionality on a more intuitive interface to equip the user with the tools necessary to maximize irrigation efficiency and water savings. Designed with an ultra-fast micro processor, the Eagle Plus enhances "real time" irrigation control.



rainmaster.com

RAIN MASTER®

NOTABLE FEATURES

- Available stations: 8, 16, 24, 32, 40, 48 conventional & 200 with 2-wire module
- 8 programs with conventional and 16 program with 2-wire
- 8 start times per program for both conventional and 2-wire programs
- NVM (Non Volatile Memory) – No batteries required
- ET-based scheduling with various options
- Stainless steel enclosures and pedestals
- Self diagnostic and monitoring
- Flow sensing
- Cycle & soak
- Odd/Even day watering
- Rain sensor input
- Lightning/surge protection is standard
- No central software required

RAIN MASTER® ICENTRAL™ WITH EAGLE™ PLUS FEATURES

- Multi-level Auto Scheduler options maximize water savings
- ET calculations based upon Irrigation Association accepted standards
- ET scheduling utilizes industry accepted water budget methodology
- 24/7 365 days ET synchronization with ZipET™
- Secured wireless two-way communication
- Flow reports, daily ET information, built-in performance tools
- Smart Alerts™ Provide
 - Automated system alerts via email or text messaging
 - Automatic or manual rain shut off alerts
 - Automatic field wire fault protection and detection alerts

MODELS

Model	Description
• EGP8	EGP in painted wall mount
• EGP8-S	EGP in stainless steel wall mount
• EGP8-SPED	EGP in stainless steel 14 gauge pedestal
• EGP8-PSB	EGP in stainless steel 16 gauge VIT strong box
• EGP8-OPB	8-station expansion module kit

OPTIONAL ACCESSORIES

Model	Description
• EGP-ICENTRAL	Cellular communication kit with 24-months of iCentral service
• EGP-ETHER	Ethernet communication kit with 60-months of iCentral service
• RM-ISVC-5Y	Additional 60-months of iCentral service (Cellular)
• RM-ISVCETHR-5Y	Additional 60-months of iCentral service (Ethernet)
• PMRKIT	Permanent mount receiver kit for use with ProMax™ remote



Eagle Plus in a Rain Master security enclosure (SPED)

ELECTRICAL SPECIFICATIONS

- **Input power required:** 120 V AC ± 10%, 50/60 Hz
- **Output power required:** 24 V AC ± 10%, 50/60 Hz, 50 VA
- **Total max load:** 1.5 A @ 24 V AC, .5A @ 24 V AC per station
- UL, CUL, and FCC approved

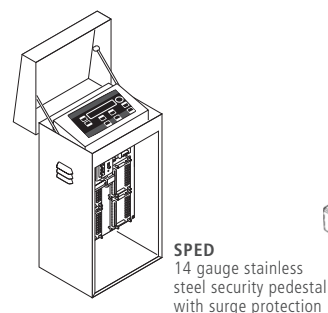
DIMENSIONS

- **Wall Mount:** H: 10¾", W: 9¾", D: 5¾"
- **SPED:** H: 35", W: 16", D: 14"
- **PSB:** H: 38", W: 16", D: 15.5"

OPERATING SPECIFICATIONS

- **Operational Temp:** 14° F to 140° F (-10° C to 60° C)
- **Storage Temp:** -22° F to 149° F (-30° C to 65° C)

COMMERCIAL-GRADE LOCKABLE PAINTED & STAINLESS STEEL ENCLOSURES



RAIN MASTER® EAGLE™ PLUS 2-WIRE

Unlike other two-wire systems, the Rain Master® 2-wire protocol provides a two-way communication link between the controller, decoders and valves.

This provides the means for testing and diagnostic capabilities within the 2-wire system. The simplicity of the 2-wire field installation, coupled with the enhanced capability of the Rain Master Twice controllers, sets a new precedent for 2-wire control within the irrigation industry.



MODULES

- Easy-to-read LED status indication for every command
- LED also displays valve activation and diagnostic reporting
- Troubleshooting capabilities:
 - LED decoder "active" indication
 - LED valve power "on" indication
 - Two-way communication verification

DECODERS

- Each decoder has a unique address (programmable at the interface module)
- Decoders will automatically shut off if communication is lost
- Wire fault detection automatically shuts down any valve
- Valves can be operated up to 100' radius of the decoder

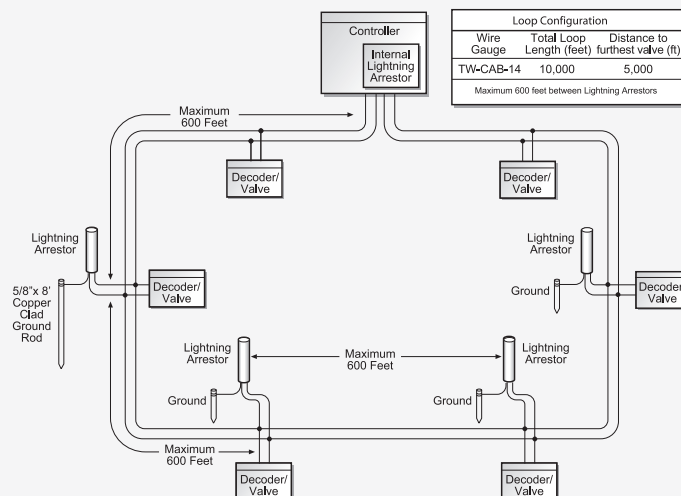
MODELS

Model	Description
EGP-TW	EGP in painted wall mount
EGP-TW-S	EGP in stainless steel wall mount
EGP-TW-SPED	EGP in stainless steel 14 gauge pedestal
EGP-TW-PSB	EGP in stainless steel 16 gauge VIT strong box

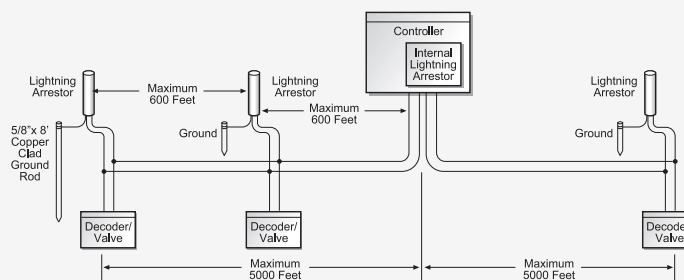
2-WIRE DECODERS AND ACCESSORIES

Model	Description
TW-D-1	Single valve AC decoder
TW-D-2	Dual valve AC decoder
TW-D-4	Quad valve AC decoder
TW-LA-1	Lightning arrestor (every 600 feet)
TW-SPLICE-14	14-gauge water-tight connectors
TW-CAB-14	14-gauge (red/black) Polycoated (blue) wire

LOOP CONFIGURATION

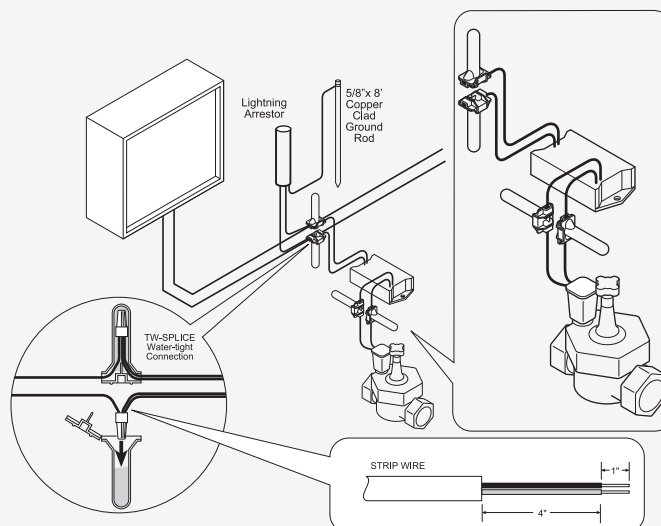


STRAIGHT LINE CONFIGURATION



Straight Line Configuration	
Wire Gauge	Total Wire Length (feet)
TW-CAB-14	5,000
Maximum 600 feet between Lightning Arrestors	

WIRE CONNECTION DETAIL



RAIN MASTER® *iCENTRAL*™

The patented Rain Master *iCentral* is the first, most comprehensive and affordable web based water management system. It allows wireless central control for one or more Rain Master Eagle™ and Eagle™ Plus irrigation "field" controllers. The *iCentral* website utilizes reliable 2-way wireless communication from the internet to interface with each field controller and provides alert notifications for a variety of system conditions. An entire irrigation system, no matter how large, can be managed through *iCentral*.



NOTABLE FEATURES

- Automatic Irrigation Scheduler (AIS) determines the optimal irrigation schedule based on seasonal, site-specific parameters: irrigation efficiency, soil texture, plant type, slope, precipitation, etc.
- Intelli-Sync™ - Intelligent synchronization monitors changes made at the controller and allows the *iCentral* operator to accept or reject the entry.
- ZipET™ Just enter the local zip code once, and local weather information is automatically sent to each controller every day.
- Full mobile compatibility with smart phones and tablets.
- Smart Alerts™ are sent by *iCentral* for all field alarms generated when a "fault" occurs; text messages are sent to cell phone and/or email address.
- Automatic initiation of "rain shutdown" to all controllers if *iCentral* determines that precipitation in a designated area necessitates a shutdown.
- Automatically modifies irrigation schedules based upon daily ET, as well as plant watering requirements.
- Variety of reports are available to show online and field activity, permitting detailed analysis of your system's efficiency.

ANNUAL WATER SAVINGS*



*Depicted annual water savings only. Individual site water savings may vary depending on programming and operational characteristics, as well as site conditions.

We reserve the right to improve our products and make changes in the specifications and designs without notice and without incurring obligation. Products depicted in this brochure are for demonstration purposes only. Actual products offered for sale may vary in design and features.